

## High Productivity Cooking Steam Tilting Boiling Pan, 100lt Freestanding, Electronic

ITEM # \_\_\_\_\_

MODEL # \_\_\_\_\_

NAME # \_\_\_\_\_

SIS # \_\_\_\_\_

AIA # \_\_\_\_\_


**586052 (PBOT10SGCO)**

 Steam Tilting Boiling Pan 100  
 liter - Freestanding,  
 Electronic, Depth 900 mm -  
 230 V/1N/50-60Hz

### Short Form Specification

#### Item No.

AISI 304 stainless steel construction. Deep drawn vessel in AISI 316 stainless steel. Insulated and counterbalanced lid. Motorized tilting with variable speed control. Pan can be tilted beyond 90° to completely empty the food. Food is uniformly heated via the base and the side walls of the pan by an indirect heating system using integrally generated saturated steam at a maximum temperature of 125°C in a jacket with an automatic deaeration system. Safety valve avoids overpressure of the steam in the jacket. Safety thermostat protects against low water level in the double jacket. TOUCH control panel. Possibility to store recipes in single or multiphase cooking process, with different temperature settings. Built in temperature sensors for precise control of cooking process. IPX6 water resistant. Configuration: Free-standing or Standing against a wall. Installation options (not included): floor mounted on 100mm high feet or a plinth which can be either steel or masonry construction.

### Main Features

- Produce is uniformly heated in the vessel by an indirect heating system using saturated steam.
- Kettle is jacketed up to 134 mm from upper rim.
- Max pressure of inner jacket at 1,5 bar; minimum working pressure at 0.5 bar.
- Edge of the large pouring lip can be equipped with a strainer (option).
- Built in temperature sensor to precisely control the cooking process.
- Motorized, variable pan tilting with "SOFT STOP". Tilting and pouring speeds can be precisely adjusted. Pan can be tilted over 90° to facilitate pouring and cleaning operations.
- USB connection to easily update the software, upload/download recipes and download HACCP data.
- IPX6 water resistant.
- Kettle is suitable to boil, steam, poach, braise or simmer all kinds of produce.
- Isolated upper well rim avoids risk of harm for the user.
- Ergonomic vessel dimensions, with a large diameter and shallow depth facilitates stirring and gentle food handling.

### Construction

- Cooking vessel in 1.4435 (AISI 316L) stainless steel featuring directional pouring lip. Double-jacket in 1.4404 (AISI 316L) stainless steel designed to operate at a pressure of 1.5 bar.
- External panelling and internal frame made of 1.4301 (AISI 304) stainless steel.
- Double-lined insulated lid in 1.4301 (AISI 304) stainless steel mounted on the cross beam of the unit, counterbalanced by a hinge that remains open in all positions.
- Safety valve avoids overpressure of the steam in the double jacket.
- External steam feeding; 1,5 bars working pressure.
- Safety thermostat protects against low water level in the double jacket.
- Water mixing tap is available as optional accessory to make water filling and pan cleaning easier.
- Minimised presence of narrow gaps for easier cleaning of the sides to meet the highest hygiene standards.
- Can be prearranged for energy optimisation or external surveillance systems (optional).
- Possibility to store recipes in single or multiphase cooking process, with different temperature settings.

APPROVAL: \_\_\_\_\_

- 98% recyclable by weight; packaging material free of toxic substances.
  - GuideYou Panel - activated by the user via settings - to easily follow the multiphase recipes, granting a proper and controlled cooking and a better appliance optimization.  
The system will provide maintenance reminders, in line with ESSENTIA program, helping the user to properly take care of the product, avoiding downtimes.
  - Highly-visible and bright led TOUCH control panel features user-friendly icons and intuitive self-explanatory command options. Display visualizes:
    - Actual and set temperature
    - Set and remaining cooking time
    - Pre-heating phase (if activated)
    - GuideYou Panel (if activated)
    - Deferred start
    - Soft Function to reach the target temperature smoothly
    - 9 Power Control levels from simmering to fierce boiling
    - Pressure mode (in pressure models)
    - Stirrer ON/OFF settings (in round boiling models)
    - Error codes for quick trouble-shooting
    - Maintenance reminders
  - Ergonomic and user friendly thanks to the high tilting position and the pouring lip design which allow to easily fill containers.
  - Front-mounted inclined led "TOUCH" control panel with recessed deep drawn casing, features self-explanatory display functions which guide operator throughout the cooking process: simultaneous display of actual and set temperature as well as set cooking time and remaining cooking time; real time clock; "SOFT" control for gentle heating up for delicate food; 9 power simmering levels from gentle to heavy boiling; timer for deferred start; error display for quick trouble-shooting.
- |                                                                                                                                                |            |                          |
|------------------------------------------------------------------------------------------------------------------------------------------------|------------|--------------------------|
| • Stainless steel plinth for tilting units - against wall - factory fitted                                                                     | PNC 911417 | <input type="checkbox"/> |
| • Stainless steel plinth for tilting units - freestanding - factory fitted                                                                     | PNC 911447 | <input type="checkbox"/> |
| • Bottom plate with 2 feet, 100mm for tilting units (height 800mm) - factory fitted                                                            | PNC 911929 | <input type="checkbox"/> |
| • Food tap strainer for tilting boiling pans                                                                                                   | PNC 911966 | <input type="checkbox"/> |
| • C-board (length 1200mm) for tilting units - factory fitted                                                                                   | PNC 912184 | <input type="checkbox"/> |
| • Power Socket, CEE16, built-in, 16A/400V, IP67, red-white - factory fitted                                                                    | PNC 912468 | <input type="checkbox"/> |
| • Power Socket, CEE32, built-in, 32A/400V, IP67, red-white - factory fitted                                                                    | PNC 912469 | <input type="checkbox"/> |
| • Power Socket, SCHUKO, built-in, 16A/230V, IP68, blue-white - factory fitted                                                                  | PNC 912470 | <input type="checkbox"/> |
| • Power Socket, TYP23, built-in, 16A/230V, IP55, black - factory fitted                                                                        | PNC 912471 | <input type="checkbox"/> |
| • Power Socket, TYP25, built-in, 16A/400V, IP55, black - factory fitted                                                                        | PNC 912472 | <input type="checkbox"/> |
| • Power Socket, SCHUKO, built-in, 16A/230V, IP55, black - factory fitted                                                                       | PNC 912473 | <input type="checkbox"/> |
| • Power Socket, CEE16, built-in, 16A/230V, IP67, blue-white - factory fitted                                                                   | PNC 912474 | <input type="checkbox"/> |
| • Power Socket, TYP23, built-in, 16A/230V, IP54, blue - factory fitted                                                                         | PNC 912475 | <input type="checkbox"/> |
| • Power Socket, SCHUKO, built-in, 16A/230V, IP54, blue - factory fitted                                                                        | PNC 912476 | <input type="checkbox"/> |
| • Power Socket, TYP25, built-in, 16A/400V, IP54, red-white - factory fitted                                                                    | PNC 912477 | <input type="checkbox"/> |
| • Panelling for plinth recess (depth from 70 to 270mm) for tilting units - factory fitted (Deutschland, Austria, Switzerland) - factory fitted | PNC 912479 | <input type="checkbox"/> |
| • Manometer for tilting boiling pans - factory fitted                                                                                          | PNC 912490 | <input type="checkbox"/> |
| • Connecting rail kit for appliances with backsplash, 900mm                                                                                    | PNC 912499 | <input type="checkbox"/> |
| • Connecting rail kit, 900mm                                                                                                                   | PNC 912502 | <input type="checkbox"/> |
| • Automatic water filling (hot and cold) for tilting units - to be ordered with water mixer - factory fitted                                   | PNC 912735 | <input type="checkbox"/> |
| • Kit energy optimization and potential free contact - factory fitted                                                                          | PNC 912737 | <input type="checkbox"/> |
| • Mainswitch 25A, 2.5mm <sup>2</sup> - factory fitted                                                                                          | PNC 912739 | <input type="checkbox"/> |
| • Rear closing kit for tilting units - against wall - factory fitted                                                                           | PNC 912750 | <input type="checkbox"/> |
| • Rear closing kit for tilting units - island type - factory fitted                                                                            | PNC 912756 | <input type="checkbox"/> |

### User Interface & Data Management

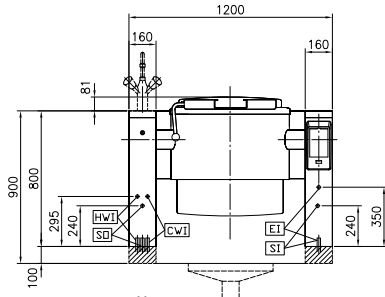
- Connectivity ready for real time access to connected appliances from remote and data monitoring (requires optional accessory - contact the Company for more details).

### Optional Accessories

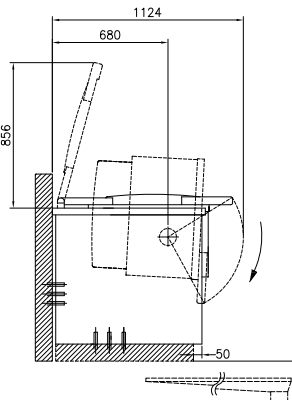
- |                                                               |            |                          |
|---------------------------------------------------------------|------------|--------------------------|
| • Strainer for 100lt tilting boiling pans                     | PNC 910003 | <input type="checkbox"/> |
| • Basket for 100lt boiling pans (diam. 600mm)                 | PNC 910023 | <input type="checkbox"/> |
| • Base plate for 100lt boiling pans (diam. 628mm)             | PNC 910033 | <input type="checkbox"/> |
| • Measuring rod for 100lt tilting boiling pans                | PNC 910044 | <input type="checkbox"/> |
| • Strainer for dumplings for 100lt boiling pans               | PNC 910054 | <input type="checkbox"/> |
| • Scraper for dumpling strainer for boiling and braising pans | PNC 910058 | <input type="checkbox"/> |
| • Food tap strainer rod for stationary round boiling pans     | PNC 910162 | <input type="checkbox"/> |

- Lower rear backpanel for tilting units with or without backsplash - factory fitted PNC 912768
- Spray gun for tilting units - freestanding (height 800mm) - factory fitted PNC 912777
- Food tap 2" for tilting boiling pans (PBOT) - factory fitted PNC 912779
- Emergency stop button - factory fitted PNC 912784
- Connecting rail kit: modular 90 (on the left) to ProThermetic tilting (on the right), ProThermetic stationary (on the left) to ProThermetic tilting (on the right) PNC 912975
- Connecting rail kit: modular 80 (on the right) to ProThermetic tilting (on the left), ProThermetic stationary (on the right) to ProThermetic tilting (on the left) PNC 912976
- Connecting rail kit for appliances with backsplash: modular 90 (on the left) to ProThermetic tilting (on the right), ProThermetic stationary (on the left) to ProThermetic tilting (on the right) PNC 912981
- Connecting rail kit for appliances with backsplash: modular 90 (on the right) to ProThermetic tilting (on the left), ProThermetic stationary (on the right) to ProThermetic tilting (on the left) PNC 912982
- Mixing tap with drip stop, two knobs, 815mm height, 600mm swivelling depth for PBOT/PFET - factory fitted PNC 913554
- Mixing tap with drip stop, two knobs, 815mm height, 450mm swivelling depth for PBOT/PFET - factory fitted PNC 913555
- Mixing tap with drip stop, two knobs, 685mm height, 600mm swivelling depth for PBOT/PFET - factory fitted PNC 913556
- Mixing tap with drip stop, two knobs, 685mm height, 450mm swivelling depth for PBOT/PFET - factory fitted PNC 913557
- Mixing tap with two knobs, 520mm height, 600mm swivelling depth for PXXT- KWC - factory fitted PNC 913567
- Mixing tap with one lever, 564mm height, 450mm swivelling depth for PXXT- KWC - factory fitted PNC 913568
- Connectivity kit for ProThermetic Boiling and Braising Pans ECAP - factory fitted PNC 913577

Front



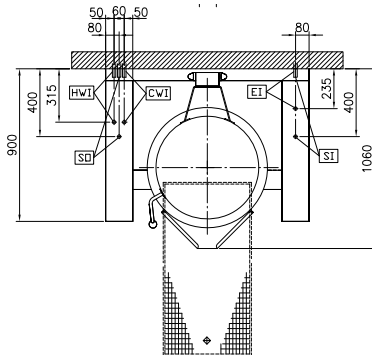
Side



CWII = Cold Water inlet 1  
 (cleaning)  
 EI = Electrical inlet (power)  
 HWI = Hot water inlet  
 SI = Steam inlet

SO = Steam outlet

Top



## Electric

Supply voltage: 230 V/1N ph/50/60 Hz  
 Total Watts: 0.2 kW

## Steam

Steam generation: External source  
 Steam inlet size: 1"  
 Steam pressure Max: 1.5 bar  
 Steam supply, relative dynamic pressure: 1 min bar, 1.5 max bar

## Water:

Pressure, min-max: 2-6 bar

## Installation:

FS on concrete base; FS on feet; On base; Standing against wall

Type of installation:

## Key Information:

Working Temperature MIN: 50 °C  
 Working Temperature MAX: 110 °C  
 Vessel (round) diameter: 640 mm  
 Vessel (round) depth: 395 mm  
 External dimensions, Width: 1200 mm  
 External dimensions, Depth: 900 mm  
 External dimensions, Height: 800 mm  
 Net weight: 180 kg  
 Configuration: Round; Tilting  
 Net vessel useful capacity: 100 lt  
 Tilting mechanism: Automatic  
 Double jacketed lid: ✓  
 Heating type: Indirect

## Sustainability

Steam consumption: 45 kg/hr